

**MSRP Price List - 01/01/2023**  
**State of Delaware**  
**Delivered & Installed**

\* Bed Ends are constructed from **Solid Red Oak**



**#146RF Single Bed (Double Sided Spring)**  
 85" x 38" x 36"H  
 Post: 2-1/4" x 2-1/2"

1179.00



**#159S Single Bed (bolt-on spring)**  
 85" x 38" x 38"H  
 Post: 1-3/4" x 2-1/2"

853.00



**#570S Single Bed (E-Z Lock Spring)**  
 85" x 38" x 36"H  
 Post: 1-3/4" x 2-1/2"

965.00



**#580S Single Bed (E-Z Lock Spring)**  
 85" x 38-5/8" x 36"H  
 Post: 2-1/2" x 2-1/2"

1027.00



**#162-2 Under Bed Storage Unit**  
 75-1/4" x 24-1/2" x 9-1/2"

861.00



**#140B Stackable Underbed Chest**  
 31" x 24" x 19-1/2"

695.00

Modifications available with quoted pricing

**OPTIONS:**

Solid Fascia Rail (each)	100.00
Stain 159 Bed (2 ends)	50.00
Stain 570 & 580 Bed (2 ends)	50.00
Stain Fascia Rail (each)	40.00
Stain 162 Under Bed Storage Unit	50.00
Extra Stabilizer Rail	90.00
Extra Spring (36x80 EZ lock)	400.00



**MSRP Price List - 01/01/2023**  
**State of Delaware**  
**Delivered & Installed**

**200 Series Bunkbeds and Loft Beds**

\* Bed Ends are constructed from **Solid Red Oak**



**#159 Bunk Bed (bolt-on springs)**  
 83-1/4" x 37" x 62"H  
 Post: 1-3/4" x 2-1/2"

1646.00



**#570 Bunk Bed (E-Z Lock Spring)**  
 85" x 38" x 72"H  
 Post: 1-3/4" x 2-1/2"

1901.00



**#570 Loft Unit (E-Z Lock Spring)**  
 (1 Spring, 2 Stabilizer Rails)  
 85" x 38" x 72"H  
 Post: 1-3/4" x 2-1/2"

1791.00



**#580 Bunk Bed (E-Z Lock Spring)**  
 85" x 38-5/8" x 72"H  
 Post: 2-1/2" x 2-1/2"

2024.00



**#580 Loft Unit (E-Z Lock Spring)**  
 (1 Spring, 2 Stabilizer Rails)  
 85" x 38-5/8" x 72"H  
 Post: 2-1/2" x 2-1/2"

1914.00

**OPTIONS:**

Modifications available with quoted pricing

**Ladder for 570 & 580 Bed (63-1/2"H)**  
**Guard Rail for 570 & 580 Bed (55" LG)**

400.00  
 210.00

**Stain 159 Bed (4 ends)**  
**Stain 570 & 580 Bed (4 ends)**  
**Stain ladder**  
**Stain Guard Rail**

100.00  
 100.00  
 50.00  
 50.00



**MSRP Price List - 01/01/2023**  
**State of Delaware**  
**Delivered & Installed**

**200 Series Captain's Beds**

\* Standard Captains Bed bed ends and back are constructed from 2 sided oak veneer MDF with 1/8" solid oak edgebanding.



<b>#137-2 Captains Bed</b>	1400.00
38" x 83" x 14"H (for 36 x 80 mattress)	
40" x 83" x 14"H (for 38 x 80 mattress)	
<b><u>2 Drawer Captains Bed Options:</u></b>	
Upgrade to Solid Oak Ends	60.00
Lift-Up Storage	80.00
Door in place of False Front	60.00
Pull-Out Tray	65.00
Staining	60.00

<b>#137-4 Captains Bed</b>	1700.00
38" x 83" x 23"H (for 36 x 80 mattress)	
40" x 83" x 23"H (for 38 x 80 mattress)	
<b><u>2 Drawer Captains Bed Options:</u></b>	
Upgrade to Solid Oak Ends	100.00
Lift-Up Storage	90.00
Large TA Drawer (In place of 2 drawers)	no charge
Door in place of False Front	60.00
Pull-Out Tray	65.00
Staining	80.00

Modifications available with quoted pricing



**MSRP Price List - 01/01/2023**  
**State of Delaware**  
**Delivered & Installed**

**O-1**  
 All exterior panels, drawer fronts, and tops are made of **solid red oak**.

**O-2**  
 All exterior panels and drawer fronts are made of **solid red oak**. Tops are high pressure plastic laminate with PVC edgeband.

**V-1**  
 All exterior panels are made of **natural oak veneers** (MDF core). Drawer fronts are made of solid red oak. Tops are high pressure plastic Laminate with PVC edgeband.

**PL-1**  
 All exterior panels and drawer fronts are made of **woodgrain low pressure laminate** on a composite core. Tops are high pressure plastic laminate.

**200 Series Chests**



**#203-19 3 Drawer Chest**  
 32" x 19" x 30" H

924.00

841.00

794.00

759.00

**#203-24 3 Drawer Chest**  
 32" x 24" x 30" H

990.00

922.00

838.00

801.00



**#203D-19 4 Drawer Chest**  
 32" x 19" x 38" H

1066.00

1022.00

948.00

913.00



**#204-19 5 Drawer Chest**  
 32" x 19" x 47" H

1241.00

1188.00

1092.00

1061.00

**#204-24 5 Drawer Chest**  
 32" x 24" x 47" H

1312.00

1266.00

1152.00

1133.00



**#210 1 Drawer Nightstand**  
 20" x 16" x 23"H

597.00

487.00

465.00

446.00



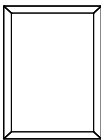
**#210-2 2 Drawer Nightstand**  
 20" x 16" x 23"H

626.00

560.00

547.00

523.00



**#213 Mirror**  
 3/4" x 28" x 42"H

332.00

Modifications available with quoted pricing

**OPTIONS:**

<b>Solid Oak Top - 19"</b>	included	90.00	90.00	
<b>Solid Oak Top - 24"</b>	included	120.00	120.00	
<b>Solid Oak Top - Nightstand</b>	included	80.00	80.00	
<b>Wood EB Top - 19"</b>		60.00	60.00	60.00
<b>Wood EB Top - 24"</b>		66.00	66.00	66.00
<b>Stain 3 Drawer Chest</b>	45.00	48.00	48.00	
<b>Stain 4 Drawer Chest</b>	47.00	50.00	50.00	
<b>Stain 5 Drawer Chest</b>	49.00	52.00	52.00	
<b>Stain Nightstand</b>	37.00	40.00	40.00	
<b>Stain Mirror</b>	10.00			
<b>Mirror Security Hardware</b>	20.00			



**MSRP Price List - 01/01/2023**  
**State of Delaware**  
**Delivered & Installed**

**O-1**  
 All exterior panels, drawer fronts, and tops are made of **solid red oak**.

**O-2**  
 All exterior panels and drawer fronts are made of **solid red oak**. Tops are high pressure plastic laminate with PVC edgeband.

**V-1**  
 All exterior panels are made of **natural oak veneers** (MDF core). Drawer fronts are made of solid red oak. Tops are high pressure plastic Laminate with PVC edgeband.

**PL-1**  
 All exterior panels and drawer fronts are made of **woodgrain low pressure laminate** on a composite core. Tops are high pressure plastic laminate.

**200 Series Desks**



**#205 4 Drawer Desk**  
 42" x 24" x 30" H

1302.00

1100.00

1010.00

974.00



**#147G Desk**  
 36" x 24" x 30" H

942.00

855.00

763.00

704.00



**#133 / #226 Desk**  
 42" x 24" x 30" H

941.00

905.00



**208 B9 One Shelf Bookcase**  
 40" x 9" x 26"H

384.00



**#208 B12 One Shelf Bookcase**  
 40" x 12" x 26"H

419.00



**#208 D9 Two Shelf Bookcase**  
 40" x 9" x 35" H

494.00



**#140G / #131G Two Drawer File Unit**  
 17" x 24" x 25"H

796.00

686.00

556.00

533.00

Modifications available with quoted pricing

**OPTIONS:**

<b>Desk Breadboard</b>	150.00	150.00	150.00	150.00
<b>Desk Drop Leaf (back)</b>	264.00	264.00	264.00	264.00
<b>Lockable laptop drawer</b>	144.00	144.00	144.00	144.00
<b>Internal EB Top 42"</b>	n/a	96.00	96.00	96.00
<b>Internal EB Top 48"</b>	n/a	118.00	118.00	118.00
<b>Solid Top 42"</b>	included	80.00	80.00	
<b>Solid Top 48"</b>	included	95.00	95.00	
<b>Stain Desk</b>	110.00	110.00	110.00	
<b>Stain Bookcase</b>	60.00			
<b>Bookcase Light - 24"</b>	88.00			
<b>Bookcase Desktop attachment</b>	18.00			
<b>Cork Back on Bookcase</b>	110.00			
<b>Bookcase 1/2" Oak Veneer Back</b>	100.00			
<b>Casters</b>	100.00			

**MSRP Price List - 01/01/2023**  
**State of Delaware**  
**Delivered & Installed**

**O-1**  
 Side panels and drawer fronts are made of **solid red oak**. Doors, top, and bottom are 3/4" oak veneer MDF edgebanded with 1/8" solid oak edgebanding. Back is 1/2" oak veneer MDF.

**V-1**  
 Top, bottom, sides, drawer fronts, and doors are made of **3/4" oak veneer** MDF edgebanded with 1/8" solid oak edgebanding. Back is 1/2" oak veneer MDF.

**PL-1**  
 All exterior panels and drawer fronts are made of **woodgrain low pressure laminate** on a composite core.

**200 Series Wardrobes**



**#214 Wardrobe**  
 36" x 25" x 72"

2188.00

1885.00

1802.00



**#215 Wardrobe**  
 36" x 25" x 72"

2314.00

1969.00

1882.00



**#216 Wardrobe**  
 36" x 25" x 72"

1827.00

1569.00

1501.00



**#217 Wardrobe**  
 24" x 25" x 72"

1454.00

1241.00

1190.00

Modifications available with quoted pricing

**OPTIONS:**

3/4" Oak MDF Back - Models 214,215,216	120.00	120.00	
3/4" Oak MDF Back - Model 217	80.00	80.00	
Solid Oak Drawer Fronts - Model 214	included	60.00	60.00
Solid Oak Drawer Fronts - Model 215	included	70.00	70.00
Staining 214, 215, 216 with oak back	110.00	110.00	
Staining 217 with oak back	90.00	90.00	n/a
Towel Bar	50.00	50.00	50.00
Mirror 12" x 36" w/polished edge	110.00	110.00	110.00
Coat Hook	24.00	24.00	24.00



**MSRP Price List - 01/01/2023**  
**State of Delaware**  
**Delivered & Installed**

---

## 200 Series Chairs

\* Chairs are constructed from **Solid Red Oak**



**#085 Student Chair**  
18" x 18" x 31-1/2"H

364.00



**#086 Upholstered Student Chair**  
(Upholstered Seat & Back)  
18" x 18" x 31-1/2"H  
\* Standard Series 1 Fabric

379.00



**#095 Two Position Chair**  
18" x 24-1/2" x 32-1/2"H

377.00



**#096 Upholstered Two Position Chair**  
(Upholstered Seat & Back)  
18" x 24-1/2" x 32-1/2"H  
\* Standard Series 1 Fabric

393.00



**#CHAIR**

541.00

**OPTIONS:**

Stain 085 / 095

50.00

Stain 086 / 096

40.00



**MSRP Price List - 01/01/2023**

**State of Delaware**

**Delivered & Installed**

---

## 200 Series Tables

\* Standard table tops are 1-1/4" Plastic laminate. Round tops have a T-Mould edge and square tops have a PVC edge. Legs and aprons are solid red oak.



#130-30RD	30" dia	622.00
#130-36RD	36" dia	704.00
#130-42RD	42" dia	977.00
#130-48RD	48" dia	1241.00



#130-2448	24" x 48"	594.00
#130-3060	30" x 60"	697.00
#130-3072	30" x 72"	754.00
#130-3648	36" x 48"	710.00
#130-3660	36" x 60"	809.00
#130-3672	36" x 72"	941.00



#130-3030	30" x 30"	528.00
#130-3636	36" x 36"	653.00
#130-4242	42" x 42"	710.00

### OPTIONS:

Wood Edgeband on 2448 Top	90.00
Wood Edgeband on 3060 Top	92.00
Wood Edgeband on 3072 Top	94.00
Wood Edgeband on 3648 Top	96.00
Wood Edgeband on 3660 Top	98.00
Wood Edgeband on 3672 Top	100.00
Wood Edgeband on 3030 Top	88.00
Wood Edgeband on 3636 Top	90.00
Wood Edgeband on 4242 Top	92.00

Modifications available with quoted pricing




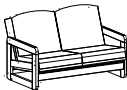
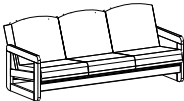
481 North Street, Forest Dale, VT 05745 Phone: 802-247-8211 Fax: 802-247-8042



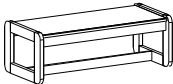
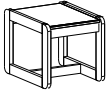
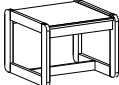
**MSRP Price List - 01/01/2023**

**State of Delaware  
Delivered & Installed**

**WHITING SERIES**



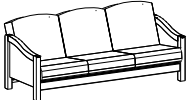
		<b>Standard Fabric (Cal 117)</b>
	<b>#020RC Chair</b> 25-1/2"W x 31"D x 33"H	2290.00
	<b>#021RC Settee</b> 51"W x 31"D x 33"H	3332.00
	<b>#022RC Sofa</b> 74"W x 31"D x 33"H	4398.00

All fabrics are Standard Series 1  
Series 2 and 3 fabrics and Crypton finishes available at quoted prices




		<b>Pl. Lam. Top</b>	<b>Solid Top</b>
	<b>#327SB Coffee Table</b> 47-1/2"W x 22"D x 18"H	699.00	823.00
	<b>#329SB End Table</b> 21-1/2"W x 28"D x 23"H	682.00	803.00
	<b>#331SB Corner Table</b> 27-1/2"W x 28"D x 23"H	730.00	860.00



**HANCOCK SERIES**




		<b>Standard Fabric (Cal 117)</b>
<hr/>		
	<b>#040RC Chair</b> 29"W x 33-1/2"D x 35"H	2631.00
	<b>#041RC Settee</b> 53"W x 33-1/2"D x 35"H	3723.00
	<b>#042RC Sofa</b> 77"W x 33-1/2"D x 35"H	4822.00

All fabrics are Standard Series 1  
 Series 2 and 3 fabrics and Crypton finishes available at quoted prices

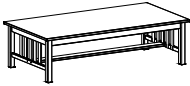

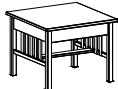
		<b>Pl. Lam. Top</b>	<b>Solid Top</b>
<hr/>			
	<b>#309R Coffee Table</b> 54" W x 28"D x 17-1/2"H	963.00	1140.00
	<b>#308R End Table</b> 24" W x 28"D x 24-1/2"H	968.00	1146.00
	<b>#307R Corner Table</b> 30" W x 30"D x 24-1/2"H	891.00	999.00



**MISSION SERIES**

		<b>Standard Fabric (Cal 117)</b>
	<b>#040RC-MS Chair</b> 29"W x 33-1/2"D x 35"H	2542.00
	<b>#041RC-MS Settee</b> 53"W x 33-1/2"D x 35"H	3656.00
	<b>#042RC-MS Sofa</b> 77"W x 33-1/2"D x 35"H	4810.00


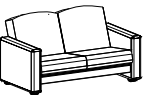
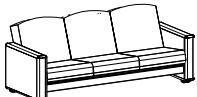
All fabrics are Standard Series 1  
 Series 2 and 3 fabrics and Crypton finishes available at quoted prices

		<b>Pl. Lam. Top</b>	<b>Solid Top</b>
	<b>#309R Coffee Table</b> 54" W x 28"D x 17-1/2"H	963.00	1140.00
	<b>#308R End Table</b> 24" W x 28"D x 24-1/2"H	968.00	1146.00
	<b>#307R Corner Table</b> 30" W x 30"D x 24-1/2"H	891.00	999.00


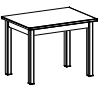



**MSRP Price List - 01/01/2023**  
**State of Delaware**  
**Delivered & Installed**

**SHOREHAM SERIES**

		<b>Standard Fabric (Cal 117)</b>
	<b>#030RC Chair</b> 35"W x 31-1/2"D x 34-1/2"H	2430.00
	<b>#031RC Settee</b> 59"W x 31-1/2"D x 34-1/2"H	3375.00
	<b>#032RC Sofa</b> 83"W x 31-1/2"D x 34-1/2"H	4315.00

All fabrics are Standard Series 1  
 Series 2 and 3 fabrics and Crypton finishes available at quoted prices



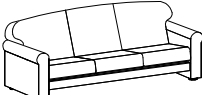
		<b>Pl. Lam. Top</b>	<b>Solid Top</b>
	<b>#345SL Coffee Table</b> 42"W x 42"D x 17-1/2"H	618.00	725.00
	<b>#349SL End Table</b> 20"W x 28"D x 23-1/2"H	594.00	696.00
	<b>#341SL Corner Table</b> 30"W x 30"D x 23-1/2"H	594.00	696.00



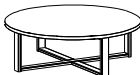


481 North Street, Forest Dale, VT 05745 Phone: 802-247-8211 Fax: 802-247-8042

**MSRP Price List - 01/01/2023**  
**State of Delaware Delivered**  
**& Installed**

**WEYBRIDGE SERIES**

		<b>Standard Fabric (Cal 117)</b>
	<b>#050RC Chair</b> 41"W x 33"D x 36"H	3237.00
	<b>#051RC Settee</b> 65"W x 33"D x 36"H	4436.00
	<b>#052RC Sofa</b> 89"W x 33"D x 36"H	5264.00


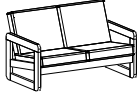
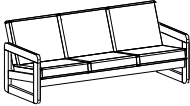

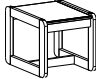
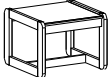
All fabrics are Standard Series 1  
 Series 2 and 3 fabrics and Crypton finishes available at quoted prices

		<b>Pl. Lam. Top</b>	<b>Solid Top</b>
	<b>#350R Coffee Table</b> 48" dia x 17-1/2"H	889.00	1051.00
	<b>#352R End Table</b> 24" dia x 23-1/2"H	682.00	803.00
	<b>#351R Corner Table</b> 30" dia x 23-1/2"H	711.00	837.00



**MSRP Price List - 01/01/2023**  
**State of Delaware Delivered**  
**& Installed**

**9060SB SERIES**

		<b>Standard Fabric (Series 1)</b>			
	<b>#9060SB Chair</b> 27"W x 30"D x 32-1/2"H	2166.00			
	<b>#9061SB Settee</b> 51"W x 30"D x 32-1/2"H	3018.00			
	<b>#9062SB Sofa</b> 75"W x 30"D x 32-1/2"H	3805.00			
		<b>Pl. Lam. Top</b>	<b>Solid Top</b>		
	<b>#9327SB Coffee Table</b> 47-1/2"W x 22"D x 18"H	699.00	823.00		
	<b>#9329SB End Table</b> 21-1/2"W x 28"D x 23"H	682.00	803.00		
	<b>#9331SB Corner Table</b> 27-1/2"W x 28"D x 23"H	730.00	860.00		

